



# CAPITAL 200 MC

FAÇADE LIGHTING

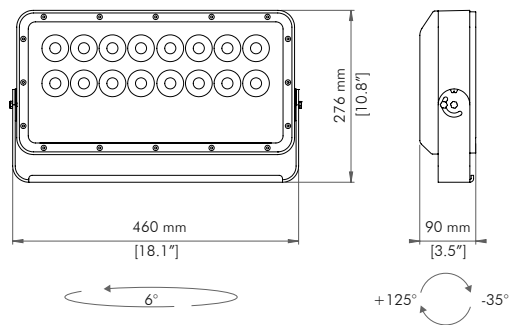
Responding to aesthetic appeal and chromatic adaptability criteria, **CAPITAL 200 MC** features multichip LEDs, which enhance seamless light distribution and smooth colour transition. Allowing a perfect blending in every architectural background through its eye-catching design and extremely sleek profile, **CAPITAL 200 MC** delivers a powerful output from a compact body with outstanding performances.



CAPITAL 200 MC

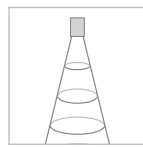
# CAPITAL 200 MC

GRIVEND 



## BEAM ANGLE REFERENCE

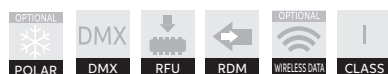
SPOT	7°
NARROW	10°
MEDIUM	23°
WIDE	35°



MAX OUTPUT  
4524 lm  
(SP DW configuration)

PHOTOMETRIC DETAILS AVAILABLE ON OUR WEBSITE

## FEATURES AND OPTIONS



## ACCESSORIES



## CODES

AL5011 CAPITAL 200 MC

AL5013 CAPITAL 200 MC POLAR EDITION

## OPTICS

SP Spot  
NA Narrow  
ME Medium  
WI Wide

## LED TYPE

RN RGB+W 4000K  
DW From 3000K to 6500K

## CONTROL SYSTEM

R DMX-RDM  
W DMX-RDM wireless

## FINISH

W White RAL 9003  
G GRIVEN Grey  
A Anthracite RAL 7016  
B Black RAL 9005

## CABLE TYPE

S POWER IN, DMX IN, DMX OUT  
C Monocable with connectors  
M Monocable without connectors

## NOTES

Unless an RDM compatible control is used, CAPITAL 200 MC must always be purchased with AL1321 Infrared Remote Control. More CAPITAL 200 MC units can be controlled with one AL1321.

## TECHNICAL SPECIFICATIONS

CAPITAL 200 MC is an IP67 medium sized floodlight, whose die cast aluminium body hosts 16 high brightness RGBW or Dynamic White multichip LEDs. Dimensions: 460 mm x 90 mm x 276 mm. Available in DMX, automatic and Master-Slave mode, it also features RFU (Remote firmware update), and RDM (Remote device management) functions. DALI or DMX-RDM wireless control available on request. Unless an RDM compatible control is used, one Infrared Remote Control AL1321 must always be purchased for one or more CAPITAL 200 MC units in order to access DMX addressing, stand-alone operations and DMX channels configurations. Power supply: standard 100÷277V / 50-60Hz. Power consumption: 0.73A @ 230V / 159W max. An Electrical Class I appliance, it also features self-resetting fuse protection as well as integrated electronic thermal protection management. The Polar Edition, fitted with an integrated de-icing system with electrically heated glass, is available on request. Operating temperature: -40°C to 50°C (-40°F to 122°F).

DIGITAL CONTROL SYSTEM SPECIFICATIONS AND CONFIGURATIONS AVAILABLE ON OUR WEBSITE



ECUADOR\_Cathedral of the Immaculate Conception, Cuenca